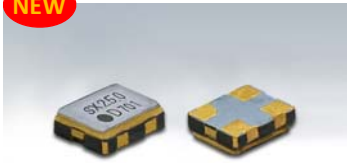


SMD Crystal Oscillators

DSO211SXF

NEW



■ Features

- Supply Voltage: 1.8V/2.5V/2.8V/3.3V
- Available frequency range: 1 to 125MHz
- Low profile: 0.7mm
- CMOS Level Output
- Capable of operating over a wide temperature range, from -40 to 125°C.
- 3-state function

[Function Code]

DSO211SXF A Z

A : 3.3V

B : 2.8V

C : 2.5V

D : 1.8V

Z : $\pm 80 \times 10^{-6}$

B : $\pm 50 \times 10^{-6}$

C : $\pm 30 \times 10^{-6}$

D : $\pm 25 \times 10^{-6}$

E : $\pm 20 \times 10^{-6}$



■ Applications

- Audio equipment, communication equipment, visual equipment, FA equipment, PC, gaming equipment and WiLAN

■ Standard Specification

Item	Function Code		Output Frequency Range (MHz)	Legend	Spec.			Unit	Condition		
	Supply Voltage	Frequency tolerance			min.	typ.	max.				
Supply Voltage	A	*	$1 \leq f_0 \leq 125$	V _{cc}	+3.0	+3.3	+3.6	V			
	B				+2.6	+2.8	+3.0				
	C				+2.25	+2.5	+2.75				
	D				+1.6	+1.8	+2.0				
Frequency Tolerance (includes frequency tolerance at room temperature)	*	Z	*	f _{tol}	-	-	± 80	$\times 10^{-6}$	-40~+125°C	-10~+70°C (Standard Operating Temperature Range)	
		B			-	-	± 50		-40~+85°C		
		C			-	-	± 30		-20~+70°C		
		D			-	-	± 25				
		E			-	-	± 20				
Current Consumption	A	*	$100 < f_0 \leq 125$	I _{cc}	-	-	10.0	mA	No Load		
			$40 < f_0 \leq 100$		-	-	4.2				
			$1 \leq f_0 \leq 40$		-	-	2.4				
	B		$100 < f_0 \leq 125$		-	-	9.0				
			$40 < f_0 \leq 100$		-	-	3.7				
			$1 \leq f_0 \leq 40$		-	-	2.2				
	C		$100 < f_0 \leq 125$		-	-	8.0				
			$40 < f_0 \leq 100$		-	-	3.4				
			$1 \leq f_0 \leq 40$		-	-	2.0				
	D		$40 < f_0 \leq 100$		-	-	2.7				
			$1 \leq f_0 \leq 40$		-	-	1.7				
Stand-by Current (#1 pin "L" Level)	*	*	*	I _{std}	-	-	10	μ A			
Load Condition	*	*	*	L CMOS	-	-	15	pF			
Symmetry	*	*	*	SYM	45	50	55	%	50% V _{cc} Level		
0 Level Input Voltage	*	*	*	VOL	-	-	V _{cc} × 0.1	V			
1 Level Input Voltage	*	*	*	VOH	V _{cc} × 0.9	-	-	V			
Rise and Fall Time	A, B, C	*	*	tr, tf	-	-	3	ns	10 to 90% V _{cc} Level		
	D				-	-	5				
OE Pin 0 Level Input Voltage	*	*	*	VIL	-	-	V _{cc} × 0.3	V			
OE Pin 1 Level Input Voltage	*	*	*	VIH	V _{cc} × 0.7	-	-	V			
Output Disable Time	*	*	*	tPLZ	-	-	200	ns			
Output Enable Time	*	*	*	tPZL	-	-	2	ms			
Packing Unit (1)					3000pcs./reel (φ 180)						

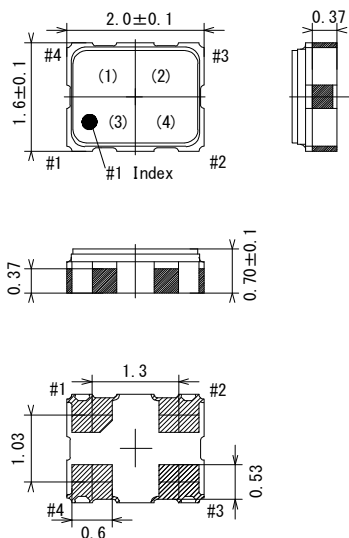
(1) Moisture prevention packing is unnecessary.

Moisture Sensitivity Level: Level1 (IPC/JEDEC J-STD-033)

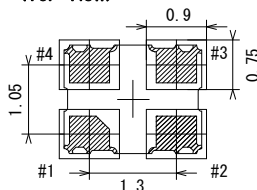
Consult our sales representative for other specifications.

[mm]

■ Dimensions



■ Recommended Land Pattern <ToP View>



Pin Connections

Pin No.	Connection
#1	O.E.(Output Enable)
#2	GND
#3	Output
#4	V _{cc}

Function

OE(#1) input	#3 output condition
"H"	Oscillation out
"L"	High Z

Marking

(1) Model code	XF
(2) Frequency	25.0 (MHz, 4 digits)
(3) Logo	D
(4) Date code	Year (1 digit) + Week (2 digits) e.g. 2019/1/1 → 901