

1. Device Name TCXO
2. Model Name DSB321SDA-16.0000-2.5V-30a-CS-E
3. Nominal Frequency 16.000 MHz
4. Mass 0.03g max.
5. Absolute Maximum Ratings

	Item	Symbol	Rating	unit
1	Supply Voltage	V <sub>CC</sub>	-0.3~+6.0	V
2	Storage Temperature Range	T <sub>STG</sub>	-40~+85	°C

#### 6. Recommended Operating Conditions

	Item	Symbol	min.	typ.	max.	unit
1	Supply Voltage	V <sub>CC</sub>	+2.4	+2.5	+2.6	V
2	Load Impedance (resistance part) (parallel capacitance)	LOAD_R	9	10	11	kΩ
		LOAD_C	9	10	11	pF
3	Operating Temperature Range	T <sub>OPR</sub>	-40	-	+85	°C

#### 7. Electrical Characteristics

(T<sub>A</sub>=-40~+85°C, LOAD\_R/C=10kΩ//10pF, V<sub>CC</sub>=+2.5V, unless otherwise noted)

	Item	Conditions	Limits			unit	Notes
			min.	typ	max.		
1	Current Consumption		-	-	+1.3	mA	
2	Output Level		0.8	-	-	V <sub>P-P</sub>	1
3	Symmetry	GND level (DC cut)	40/60	-	60/40	%	
4	Harmonics		-	-	-5	dBc	
5	Frequency Stability						
	1.Tolerance	After 2 times reflow Ref. to nominal frequency	-	-	±1.0	ppm	2,3
	2.vs Temperature	T <sub>A</sub> =-40~+85°C Ref. to frequency (T <sub>A</sub> =+25°C)	-	-	±1.0	ppm	
	3.vs Supply Voltage	V <sub>CC</sub> =+2.5V±0.1V	-	-	±0.1	ppm	
	4.vs Load Variation	LOAD_R/C=(10kΩ//10pF)±10%	-	-	±0.1	ppm	
	5.vs Aging	T <sub>A</sub> =Room ambient	-	-	±0.8	ppm/year	
6	Start Up Time	@90% of final V <sub>out</sub> level	-	-	2.0	ms	
7	SSB Phase Noise	Relative to f <sub>0</sub> level offset 1kHz	-	-	-130	dBc/Hz	

#### Notes

1. Clipped sine wave (DC-coupled)
2. T<sub>A</sub>=+25°C
3. Please leave after reflow in 2h or more at room ambient.

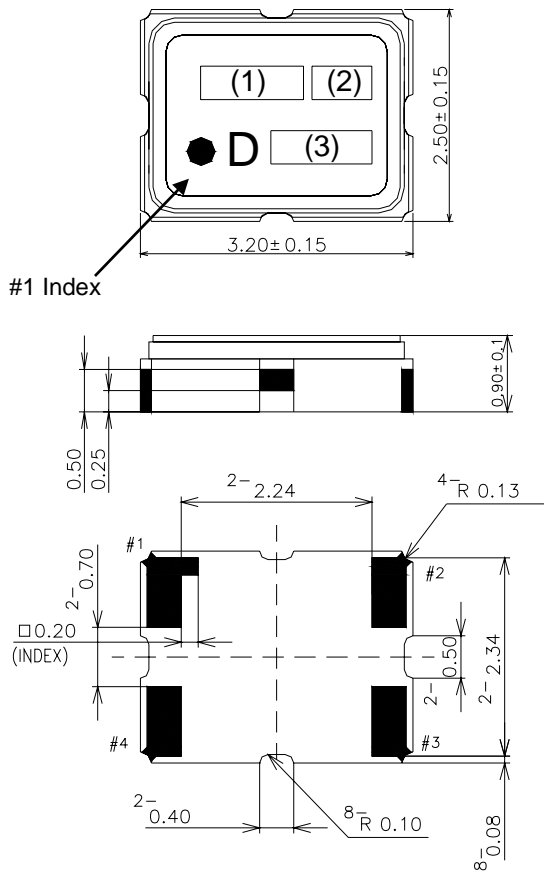
### CompoTEK GmbH

Lindwurmstrasse 97a - 80337 München  
 Tel.: 089/544323-0 - Fax: 089/544323-21  
 quarze@compotek.de

TITLE DSB321SDA TYPE SPECIFICATION		Remark		
Date 2011/08/01	Spec. No. T10-0120	Rev. A	Page 1/2	

## 8. Outline, Pin Connections

### Outline



### Pin Connections

Pin No.	Connection
#1	GND
#2	GND
#3	Output
#4	V <sub>CC</sub>

### Marking

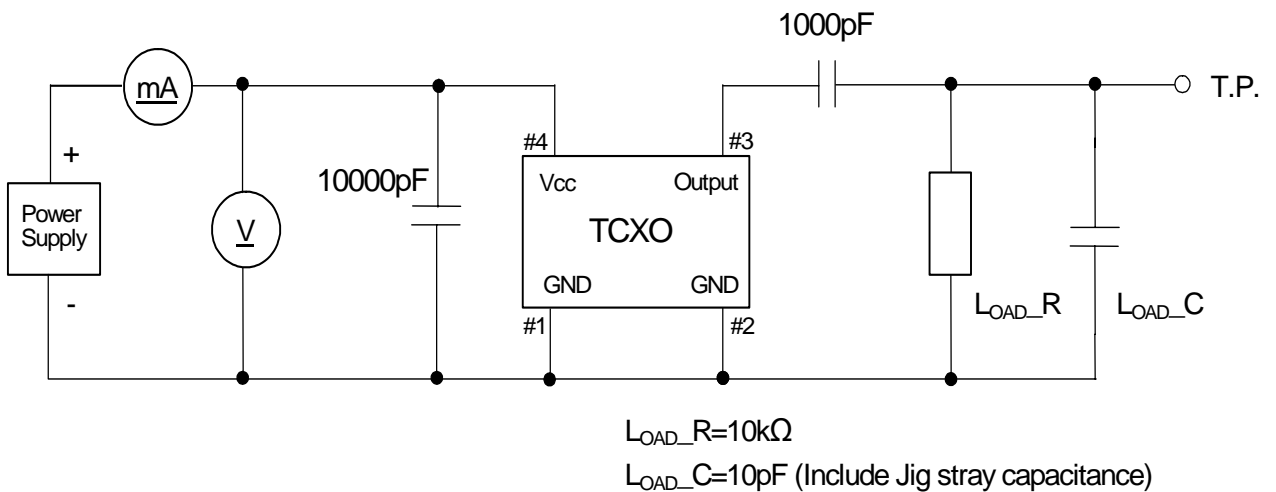
(1) Frequency	16.00 (MHz, 4digits)
(2) Model code	T
(3) Date code	Year (1digit) +Week (2digits) e.g.2011/01/01 → 101

unit: mm

Dimensional Tolerance: ±0.15

(Unless otherwise noted)

## 9. Measurement Circuit



TITLE  
DSB321SDA TYPE SPECIFICATION

Remark

Date  
2011/08/01

Spec. No.  
T10-0120

Rev.  
A

Page  
2/2