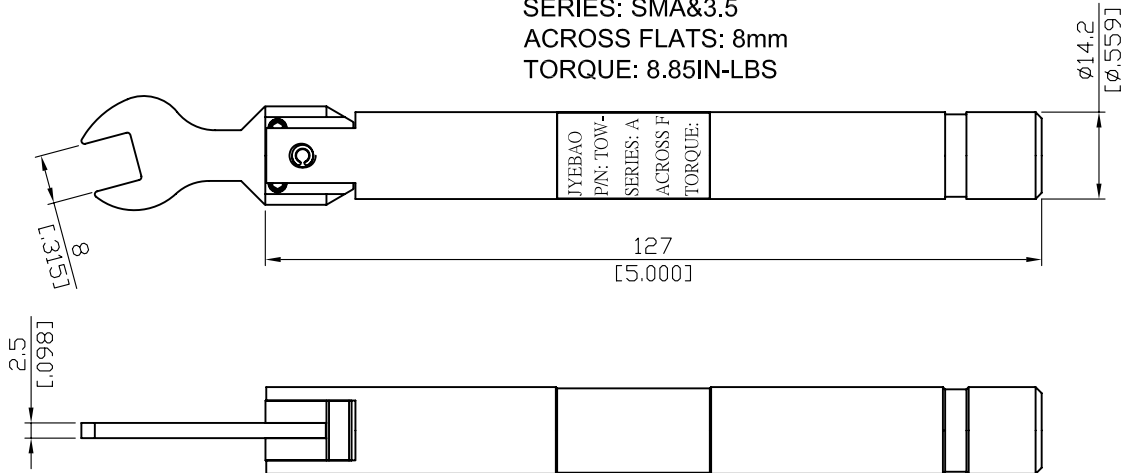


TOW-A8AF8.85IL

Torque Wrench For Stainless SMA & 3.5mm

Engrave:  
 JYEBAO  
 P/N: TOW-A8AF8.85IL  
 SERIES: SMA&3.5  
 ACROSS FLATS: 8mm  
 TORQUE: 8.85IN-LBS



Notes:

1. Each torque wrench is supplied in a cardboard box.
2. Preset torque : 8.85IN-LBS (1Nm)
3. Torque accuracy: +/- 5%
4. Break over design ensures that connectors are not over torqued.
5. No certificate of calibration is provided with this product.

Parts	Material	Plating ( Micro-inch )
Wrench Head	Steel	Black Chromium
Handle	Aluminium	Black Anodized

This part number complies with RoHS.

Notice: JYEBAO reserves the right to make modifications demand appropriate.