



## CTA 2458/4/DB/NF/S1

### Technical Data

#### Unique Features

Ceiling mount, high performance, easy installation

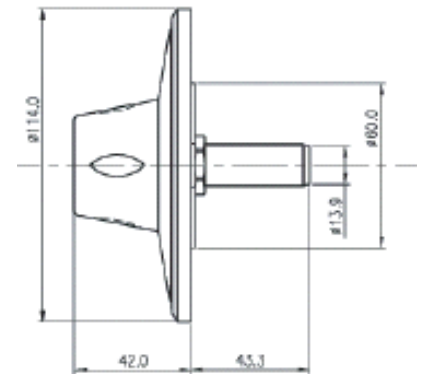
#### Electrical Properties

Frequency Range	:	2.4~2.5 GHz & 5.15~5.85 GHz
Impedance	:	50 Ohms
VSWR	:	2.0 max at resonance
Gain	:	4 dBi
Polarization	:	vertical
RF Power Handling	:	10 W

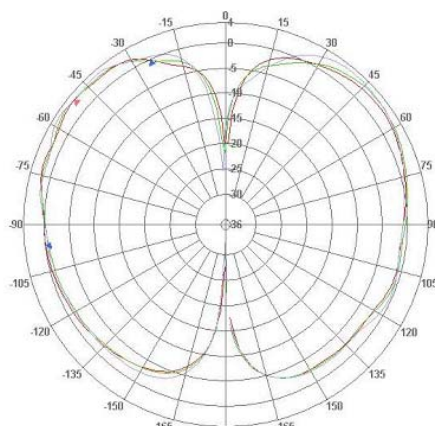


#### Mechanical Properties

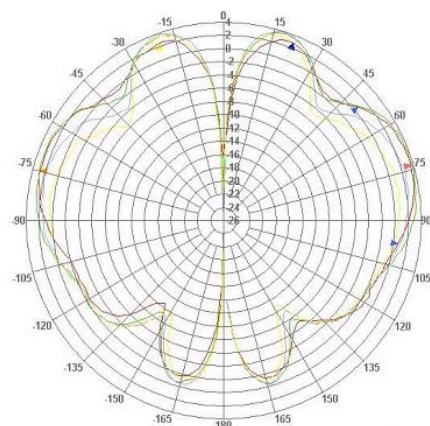
Standard Connector	:	N-type, female
Dimensions	:	(114 x 85) mm
Weight	:	170 g
Case	:	ABS
Temperature Range	:	-30 °C~+60 °C



#### Radiation Pattern



Vertical 2.4 GHz



Vertical 5.8 GHz

Specifications subject to change without any notice !

CompoTEK GmbH, Lindwurmstrasse 97A, 80337 München, Germany  
Fon:+49 (0)89/5443230, Fax:+49 (0)89/535623  
[info@compotek.de](mailto:info@compotek.de), [www.compotek.de](http://www.compotek.de)