



CTA 2450/8/PA/SF/S1

Technical Data

Unique Features

Compact size, high performance, easy installation

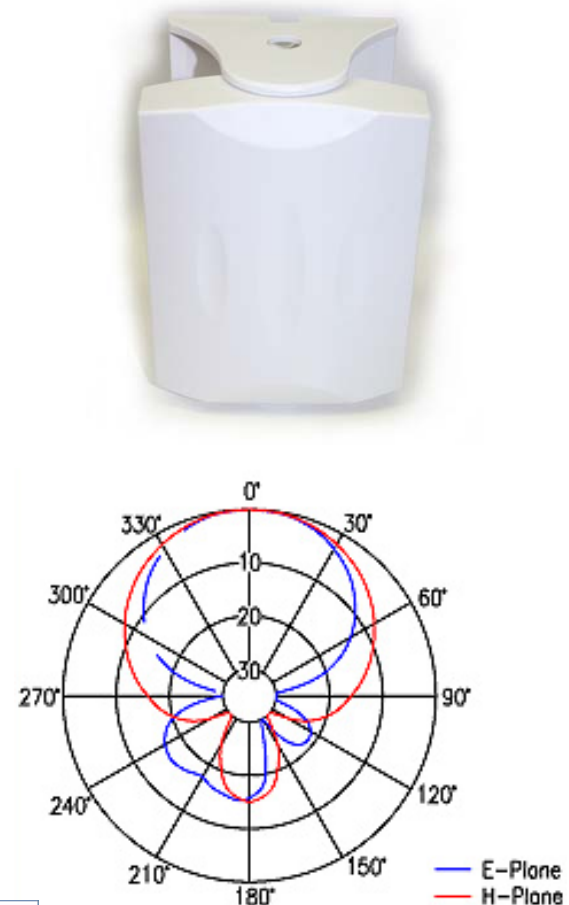
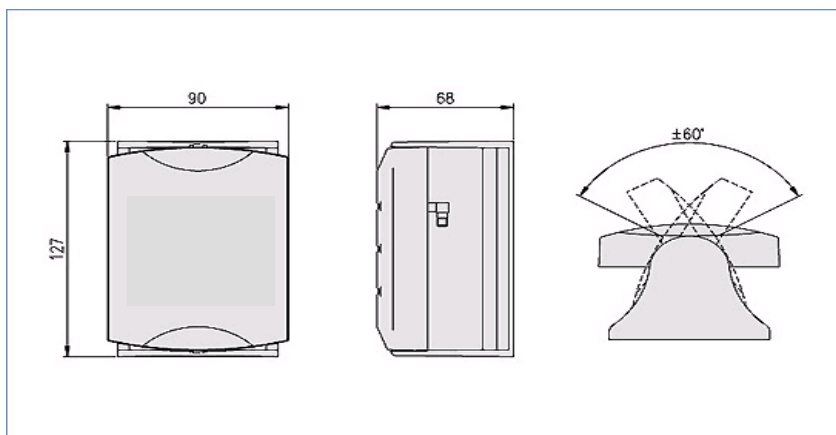
Electrical Properties

Frequency Range	:	2.4~2.5 GHz
Impedance	:	50 Ohms
VSWR	:	1.5 max at resonance
Gain	:	8.5 dBi
Front to Back Ratio	:	15 dB
3dB Beamwidth	:	E55 °, H70 °,
Polarization	:	vertikal
RF Power Handling	:	50 W

Mechanical Properties

Standard Connector	:	SMA right angle female
Dimensions (W x H x D)	:	(90 x 127 x:90) mm
Weight	:	160 g
Color	:	white
Temperature Range	:	-30 °C~+60 °C

Outline Drawing



Specifications subject to change without any notice !

CompoTEK GmbH, Lindwurmstrasse 97A, 80337 München, Germany
Fon:+49 (0)89/5443230, Fax:+49 (0)89/535623
info@compotek.de, www.compotek.de