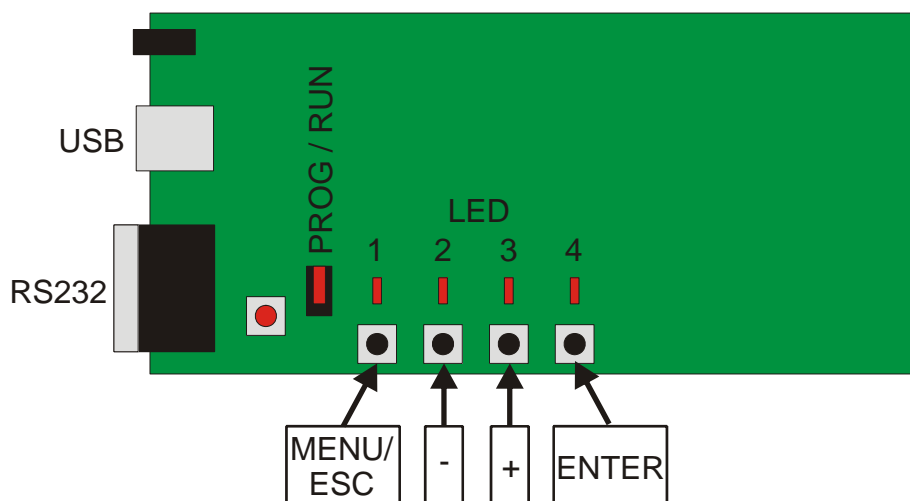


Mango EazyConnect

Manual

The EazyConnect-Software allows you to replace any wired serial (RS232) connection by a wireless point-to-point RF-connection.



Configuration

You can configure the RF-modules with different baud rates and you can switch between USB und RS232 connector. Both modules in the point-to-point connection can be configured separately. You can see the menu structure when connecting a terminal with proper baudrate settings.

After Reset / PowerOn the standard configuration is: USB, 9600 baud.

Setting the baudrate

1. Press MENU → LED 1 on
2. Press ENTER → LED 1 on. You're in the baudrate-menu.
3. Change baudrate with + / -. For baudrates please refer to Table 1.
4. Press ENTER to select baudrate. You're back in Menu-Level 1. Press again MENU / ESC to leave configuration mode. LED 4 should blink fast (normal mode).

Setting the port

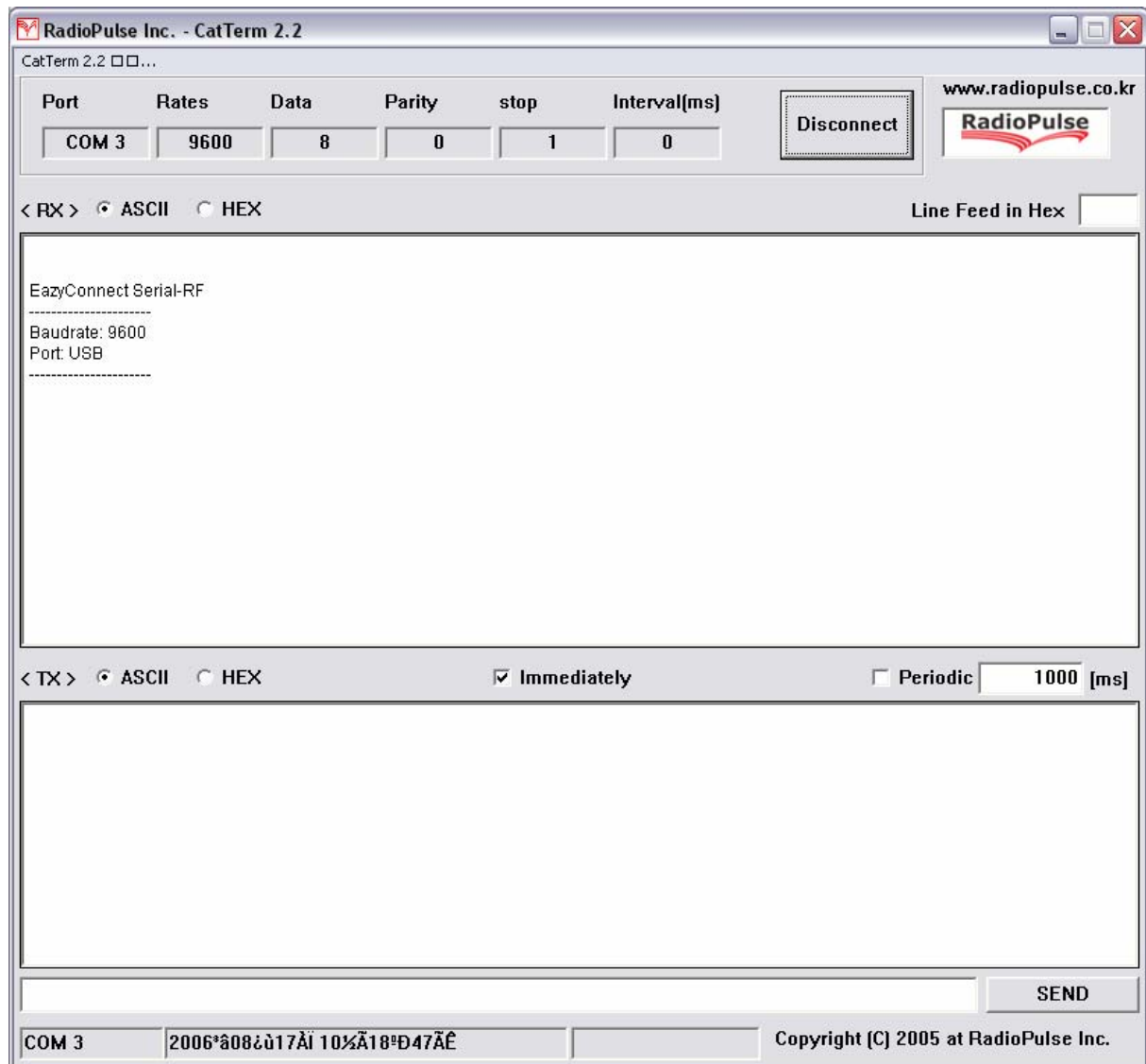
1. Press MENU → LED 1 on
2. Press + → LED 2 on
3. Press ENTER → LED 1 on. You´re in the port-menu.
4. To change to RS232 press + → LED 2 on.
5. Press ENTER to select port. You´re back in Menu-Level 1. Press again MENU / ESC to leave configuration mode. LED 4 should blink fast (normal mode).

Baudrate	LED 1	LED 2	LED 3	LED 4
300	■			
600		■		
1200	■	■		
2400			■	
4800	■		■	
9600		■	■	
14400	■	■	■	
19200				■
28800	■			■
38400		■		■
57600	■	■		■
115200			■	■

Table 1: Baudrates

Terminal-Settings

To test the connection or to view the configuration menu please configure the CatTerm as shown in the picture below. (ASCII, Immediately)



Programming the modules

To run the software first time you have to program the modules. This can be done with the Windows application *DeviceProgrammer* from RadioPulse.

1. Load the hex-file eazyconnect_vxxx.hex
2. Connect to the module (module must be in program-mode!)
3. Press Button ROM PROGRAM
4. Disconnect
5. Switch module to normal mode and press RESET button.

