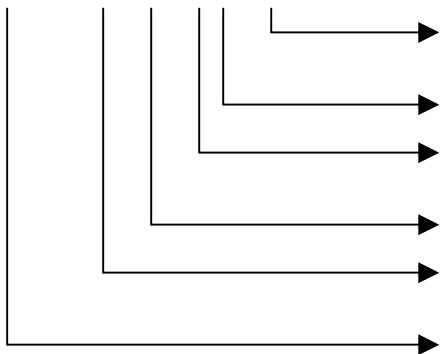


GPS Active Antennas



Nomination Method

CDAM 1575/A/1/C/2



Connector Type (1,2,3,4,5,5,7,8,9...N)

Housing Type (A,B,C,D,N = without)

Voltage (1,2,3,4,5)

Antenna Patch Type (A,B,C,D,E)

Frequency [MHz]

CompoTEK GPS Active Antenna

Specifications

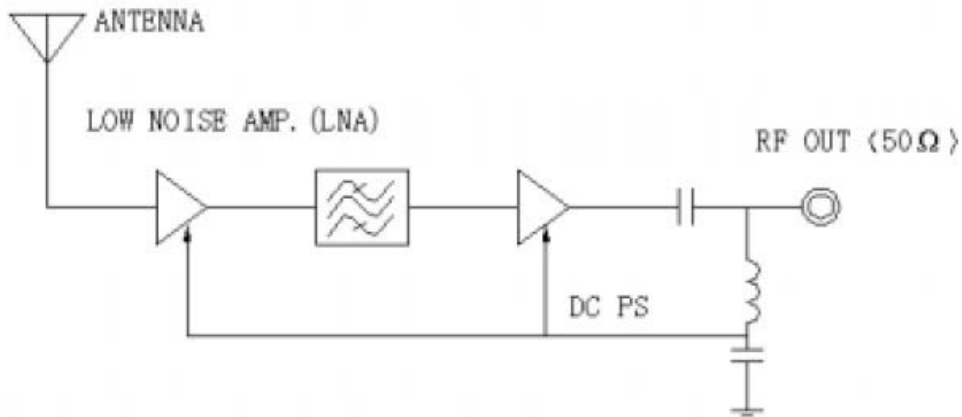
Antenna Specification	
Center Frequency	1572.42 MHz
Band Width	± 5 MHz
Peak Gain	> 3 dBi
VSWR	1.5
Impedance	50 Ohm
Polarisation	RH-CP

Voltage [V]	
1	5
2	3 / 3.3
3	2.7
4	3-5
5	...

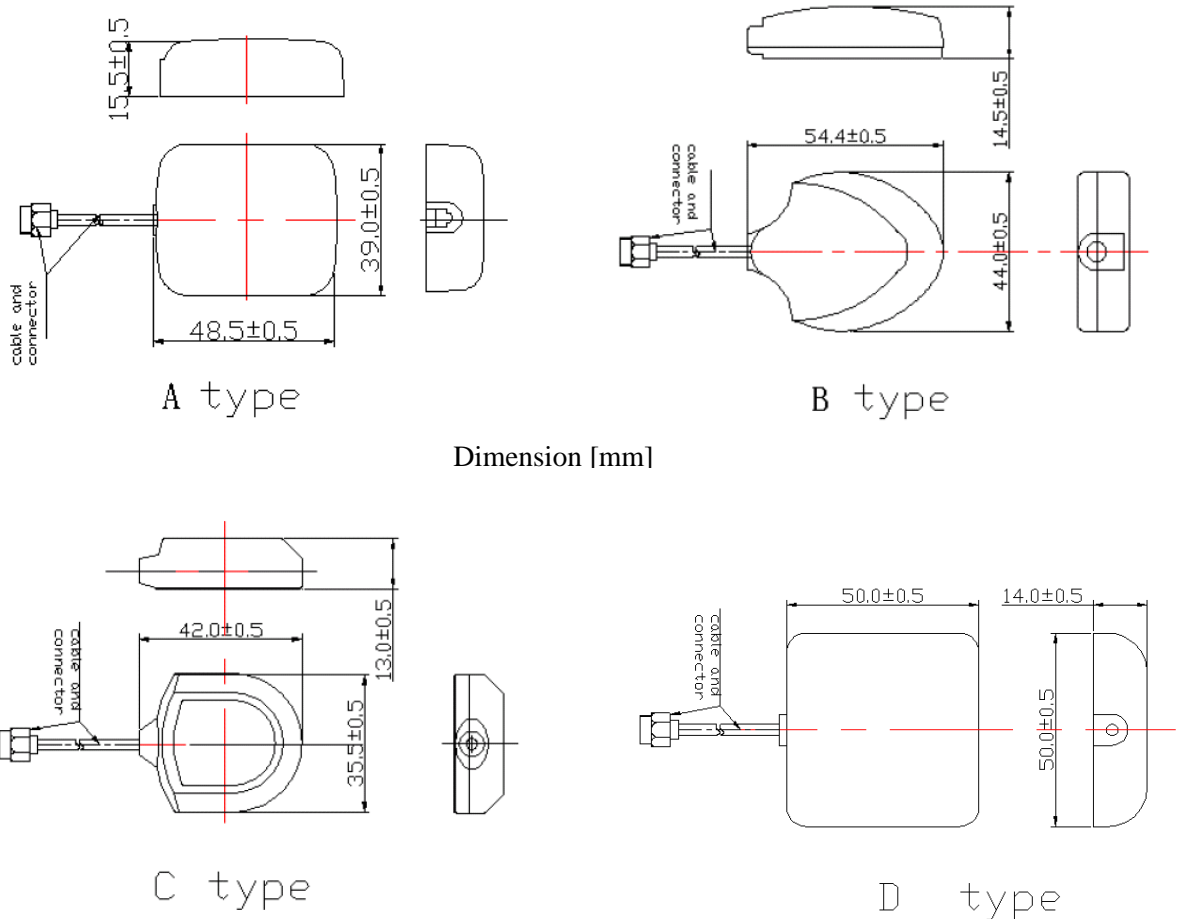
Connector Type	
1	SMA
2	SMB
3	BNC
4	MCX
5	MMCX
6	FME
7	Mini UHF
8	SMC
9	...
N	without

Antenna Patch Type [mm]	
A	25 x 25 x 4
B	25 x 25 x 2
C	18 x 18 x 4
D	19 x 19 x 4
E

LNA



Housing Type



Specifications subject to change without any notice !

CompoTEK GmbH, Lindwurmstrasse 97A, 80337 München, Germany
 Fon:+49 (0)89/5443230, Fax:+49 (0)89/535623
info@compotek.de, www.compotek.de